

- 440Vac 48
- THD 10%
- 92.5%
- : 4kV 6kV
- 
- Class I
- &
- IP66/IP67
- 5



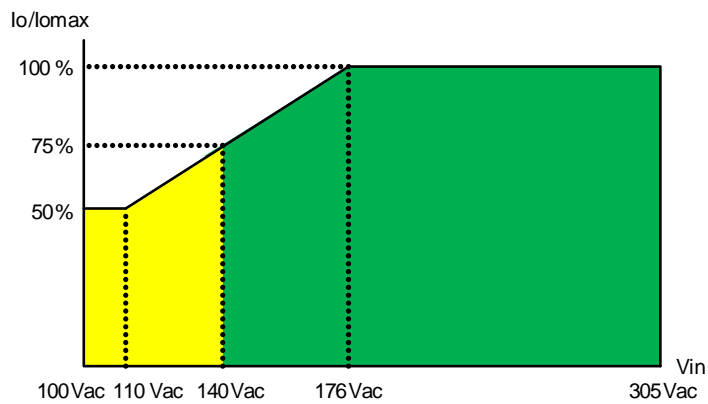
EDC-150S105SV-000x

150W IP66/IP67

140-305 Vac

(mA)	(Vdc)	(W)	(1)	(1)	(2)(3)(4)
700	107-214	150	92.0%	0.96	EDC-150S105SV-0007
860	97-174	150	92.5%	0.96	EDC-150S105SV-0004
1050	97-143	150	91.5%	0.96	EDC-150S105SV

- 1 220 Vac 100%
- 2 : 220-240Vac
- 3 100-305Vac 100-140Vac
- 4 BIS BIS



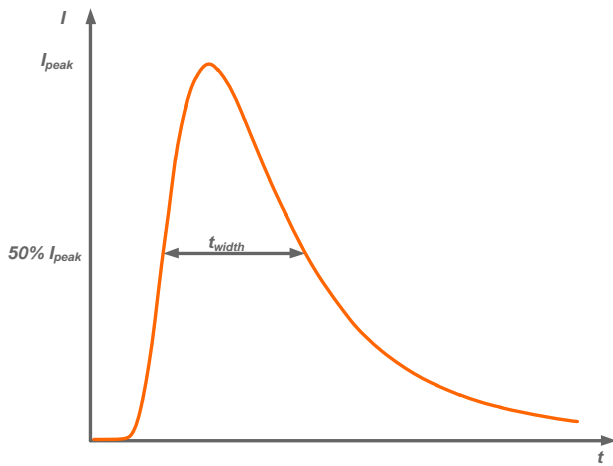
	140 Vac	-	305 Vac	
	47 Hz	-	63 Hz	
	-	-	0.70 mA	IEC 60598-1; 240Vac/60Hz
	-	-	0.83 A	100% 220Vac
(I <sup>2</sup> t)	-	-	0.019 A <sup>2</sup> s	220Vac 25°C

(L x W x H) (L x W x H)	6.54 x 2.36 x 1.44 166 x 60 x 36.5			7.20 x 2.36 x 1.44 183 x 60 x 36.5
	-	680 g	-	

CE	EN 61347-1, EN 61347-2-13
BIS	IS 15885(PART2/SEC13)
KS	KS C 7655
<b>EMI</b>	
EN IEC 55015 <sup>(1)</sup>	Conducted emission Test & Radiated emission Test
EN IEC 61000-3-2	Harmonic current emissions
EN 61000-3-3	Voltage fluctuations & flicker
<b>EMS</b>	
EN 61000-4-2	Electrostatic Discharge (ESD): 8 kV air discharge, 4 kV contact discharge
EN 61000-4-3	Radio-Frequency Electromagnetic Field Susceptibility Test-RS
EN 61000-4-4	Electrical Fast Transient / Burst-EFT
EN 61000-4-5	Surge Immunity Test: AC Power Line: Differential Mode 4 kV, Common Mode 6 kV
EN 61000-4-6	Conducted Radio Frequency Disturbances Test-CS
EN 61000-4-8	Power Frequency Magnetic Field Test
EN 61000-4-11	Voltage Dips
EN 61547	Electromagnetic Immunity Requirements Applies To Lighting Equipment

1 EMI

( ) EMI

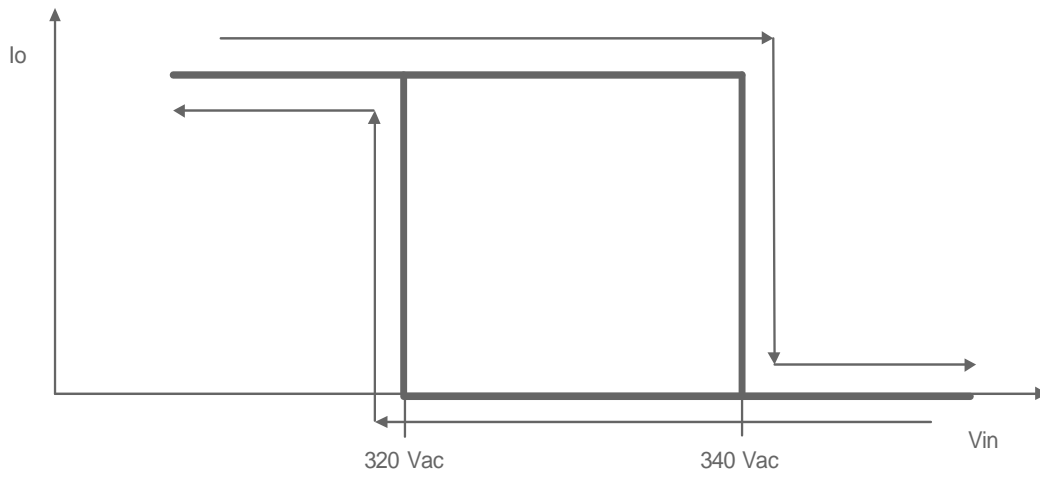


EDC-150S105SV( $I_o=1050mA$ )

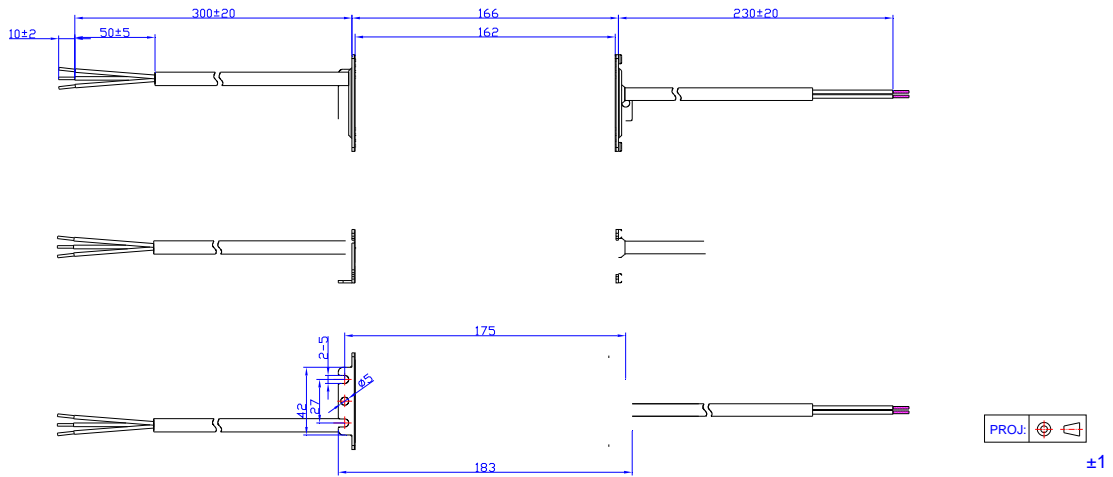
EDC-150S105SV-0004( $I_o=860mA$ )



100V					
		320 Vac	340 Vac	360 Vac	
		300 Vac	320 Vac	340 Vac	
		-	-	440 Vac	440Vac    48



EDC-150S105SV-000x



2017-03-03	A	/	/	
		/	/	

2021-01-05 B